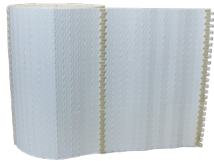




Replacement & Spare Parts



Cutting Heads,
Actuators, & Motors
Starting from \$375.00



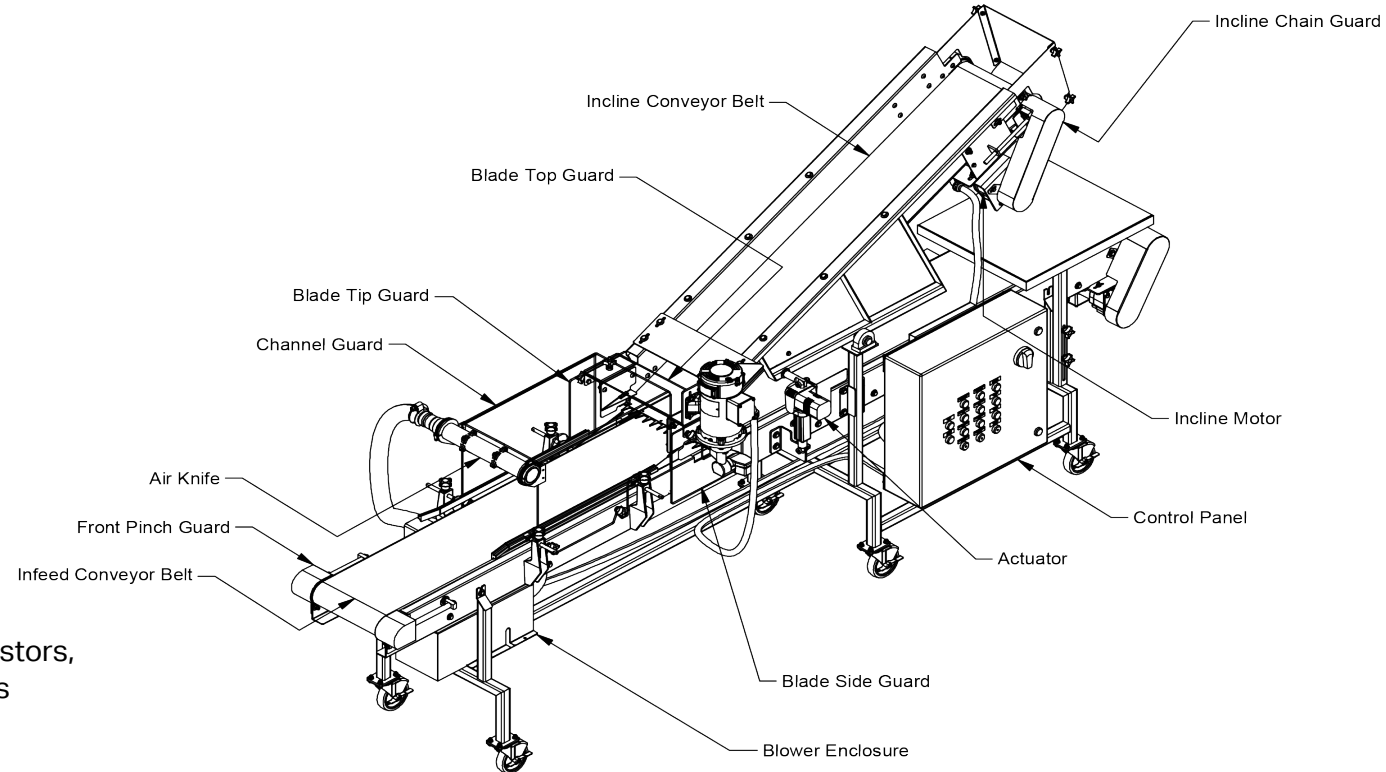
Conveyor Belting
Starting from \$500



Guards & Air Knives
Available upon request



Knobs, Washers, Castors,
Speed Pods & Lights
Starting from \$50



We've Got You Covered

We know our growers cannot afford downtime. Replacement parts are available and easily to install. Just call or email, and we will get the parts out to you.

Spare parts packages available for all Harvesters.

Need a Hand Installing or Adjusting Your Harvester?
Call us 905-354-2922 or email contactus@hamillaps.com